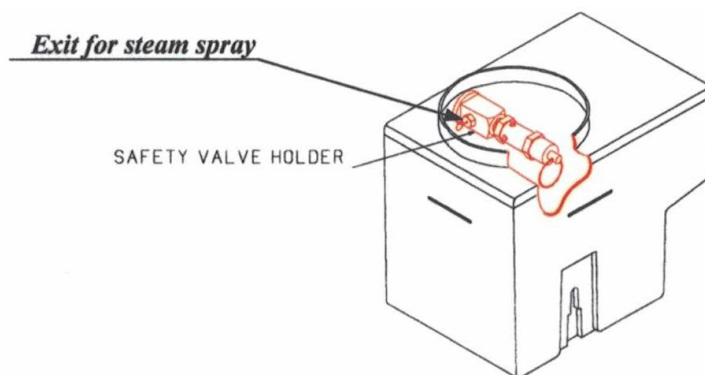


Tuttanauer Autoclave Quick Start Job Aid

Prepared by Marcia 7/10/16

1. Fill water reservoir to **BELOW** of safety valve holder or use the dip stick to determine water level. **Use ONLY distilled water!!!**



2. Turn START button on. Green power light will come on.
3. Turn red tracking needle on pressure gauge to 0 psi.
4. Open front door of autoclave.
5. Turn bottom knob to FILL position. **ALWAYS turn bottom knob clockwise only!!!!**



6. Watch as water flows into chamber. When it reaches close to the groove, turn the bottom knob to STE (sterilize) position.
7. Load autoclave and shut the door. **Make sure to only lightly hand-tighten as over tightening will damage the gasket.** Note: here is a secondary door tightening mechanism that engages when the run is started.
8. Set timer to 40 minutes for cold start, 30 minutes for hot start (if it has just been run). The Heat Light will come on.
9. When the timer reaches 0, the buzzer will sound.
10. Any time before the pressure reaches 10 psi, turn the bottom knob to the EXH/DRY position
11. When the white pressure gauge reaches 0, unscrew the door closing device but do not move it to the side. This will allow the door to open about $\frac{3}{4}$ ".
12. Leave the knob set to EXH/DRY and set the timer for 20-30 minutes. The Dry Light will come on.
13. When the timer reaches 0, the buzzer will sound.
14. Open door fully. Remove packs any time after that – best to wait until cools a bit or use oven mitt.

Tuttanauer Autoclave Maintenance Job Aid

Prepared by Marcia 7/10/16

WEEKLY

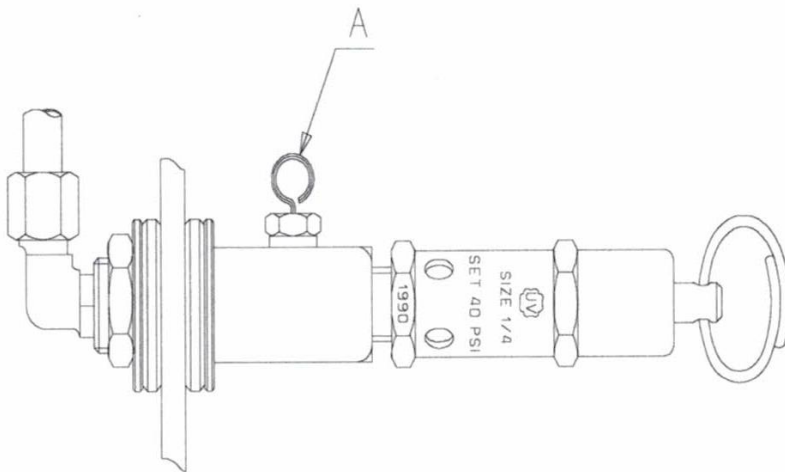
Clean door gasket with a mild detergent (diluted Simple Green), water and soft cloth or sponge. Gasket should be clean and smooth.

ABOUT EVERY 20 CYCLES

Clean air jet:

The air jet has a clean out wire inserted in it – it is permanent and will not come out. It is best to clean air jet while unit is running and under pressure so that any loose debris will be blown away.

1. Remove the water reservoir cover.
2. Clean hole of jet by manipulating the air trap wire back and forth 10 times.



Other Maintenance:

Clean chamber, copper tubes and the reservoir using Chamber Brite.

Take out tray holders and tray and clean with detergent and water using a cloth or sponge. Rinse immediately with water.

Put a few drops of oil on the 2 door pins and door tightening bolt screw shaft and bearing.

Clean the outer parts of the autoclave with a soft cloth.